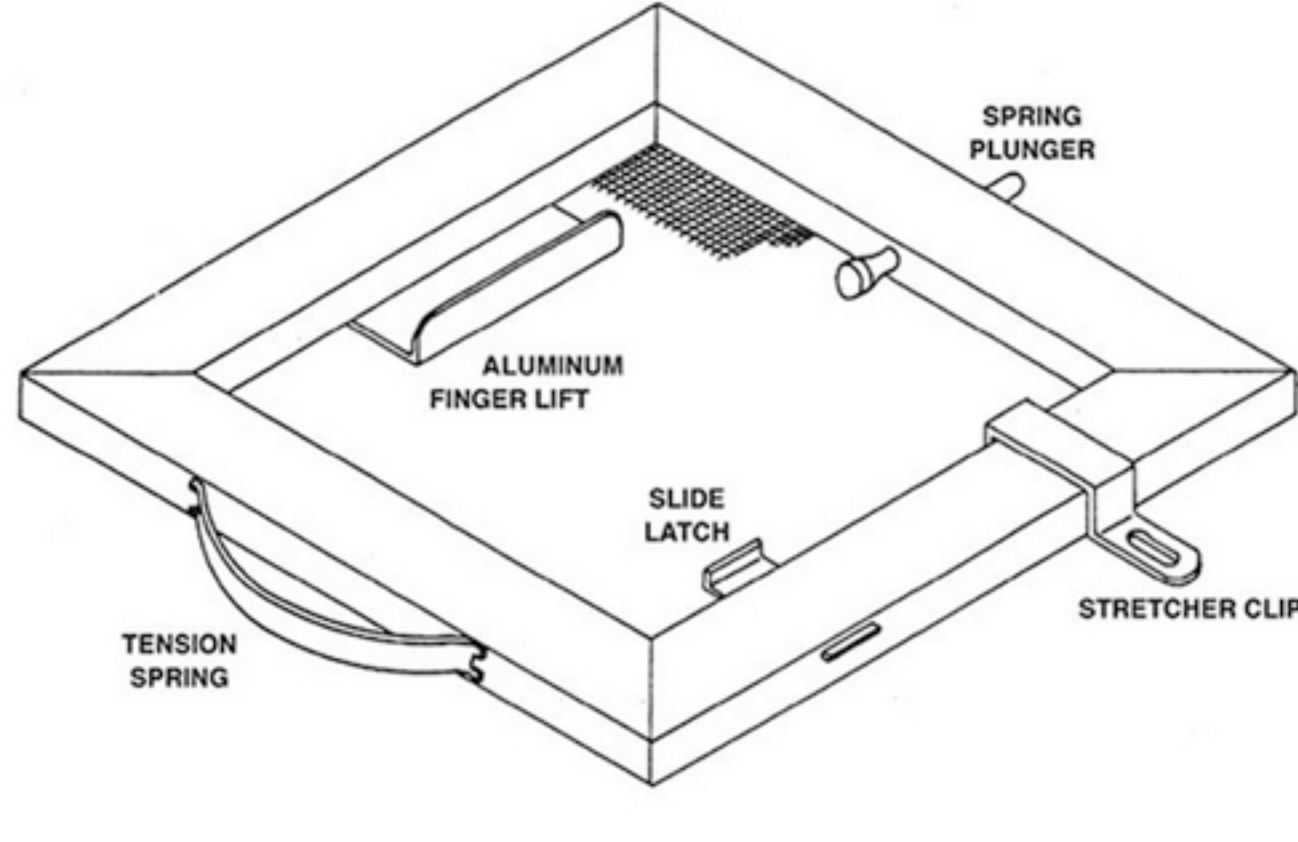
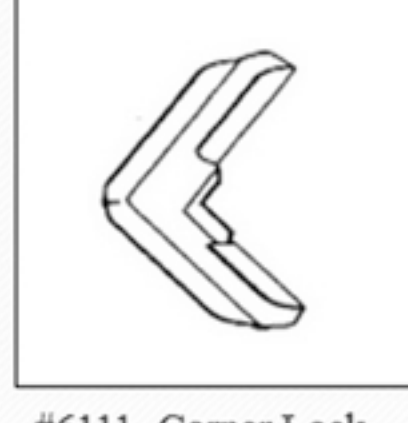
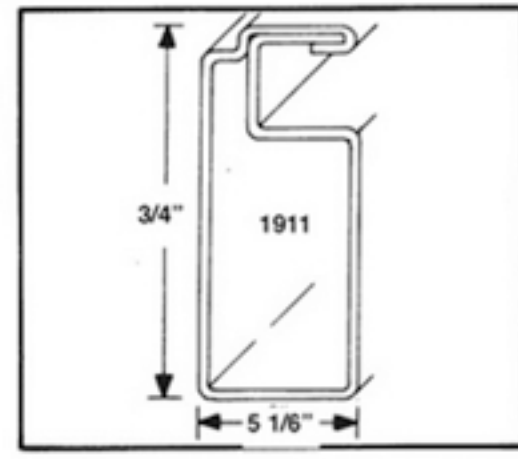


Screen Frame & Corner Locks



Box Type Screen Frame 5/16" x 3/4" Small Spline

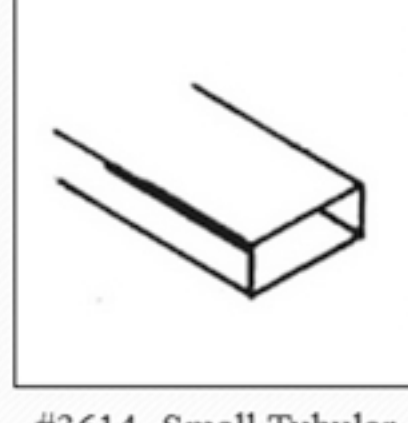
Catalog Number	Gauge	Pieces per Carton
1911- Mill	0.019	160
1911B- Bronze	0.019	160
1911W- White	0.019	160



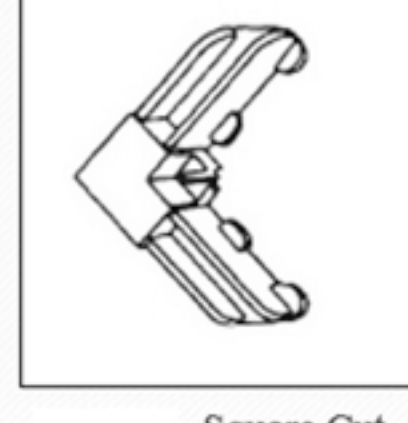
#6111- Corner Lock – Aluminum
Corner Lock – Plastic



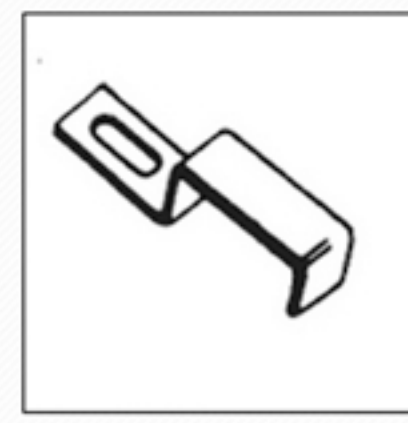
C-Clip



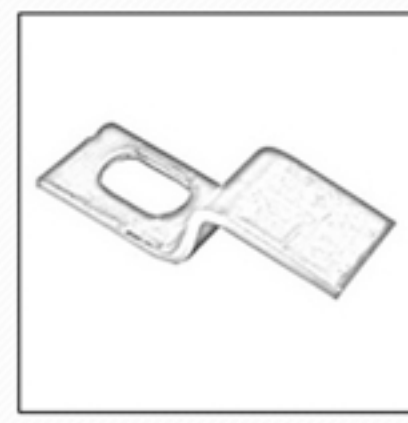
#3614- Small Tubular Crossbrace 12 6" Length- Mill



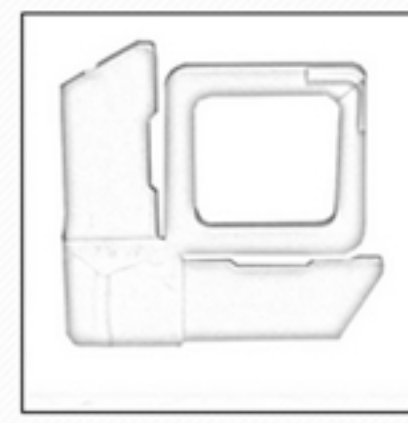
- Square Cut Corner (No Miter Cut)-



3/4 in. Screen Stretcher Clip



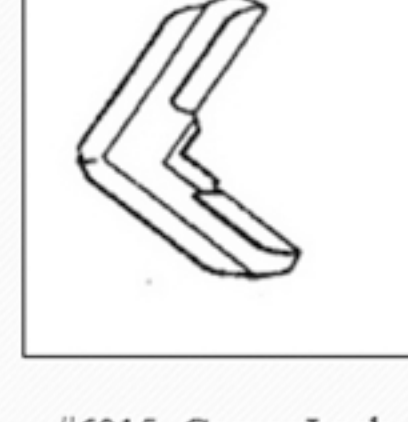
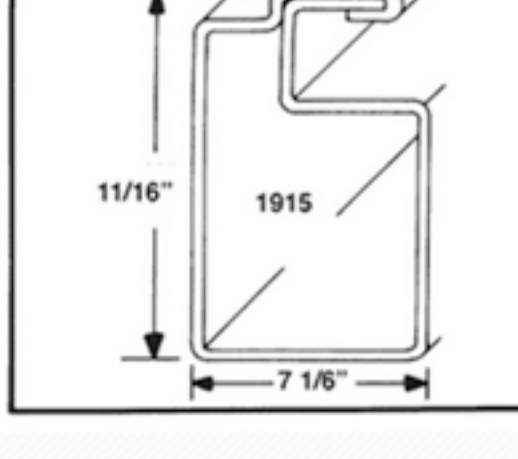
5/16" Zee Screen Clip



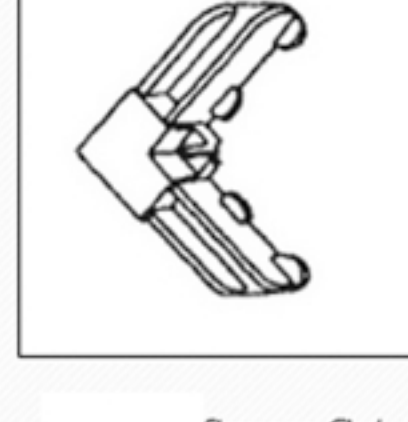
Square Corner with Pull Tab- Grey

Box Type Screen Frame 7/16" x 11/16" Small Spline

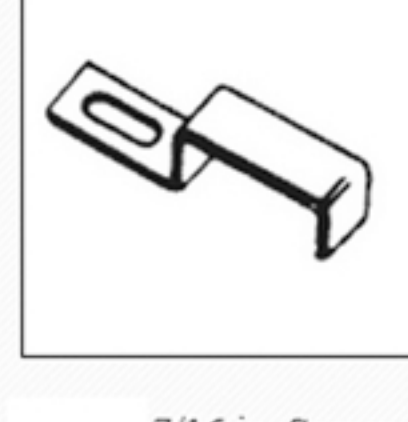
Catalog Number	Gauge	Pieces per Carton
1915- Mill	0.020	125
1915B- Bronze	0.020	125
1915W- White	0.020	125



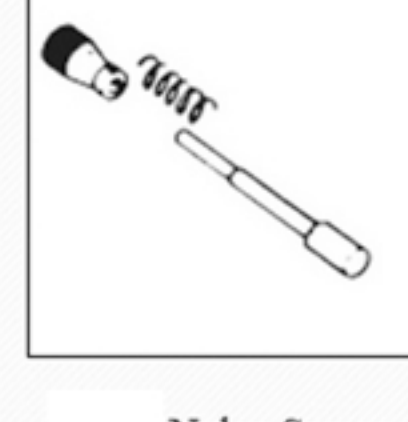
#6015- Corner Lock Plastic Corner



Square Cut Corner (No Miter Cut)-



7/16 in. Screen Stretcher Clip



Nylon Screen Plunger Assembly



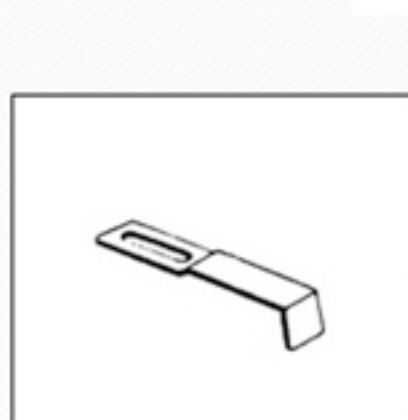
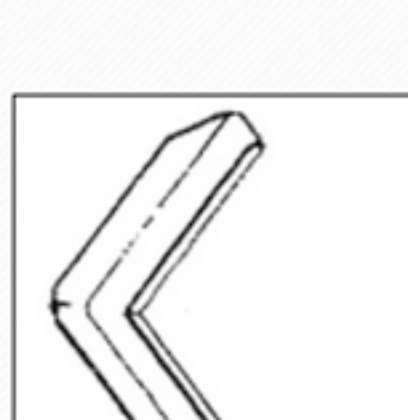
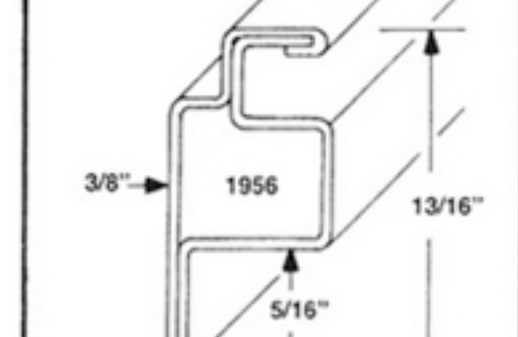
7/16 in. Plastic Swivel Clip – Black



Friction Hanger

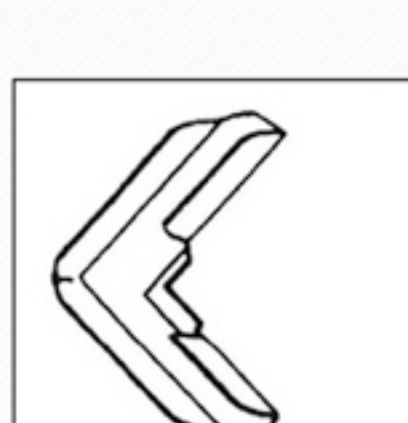
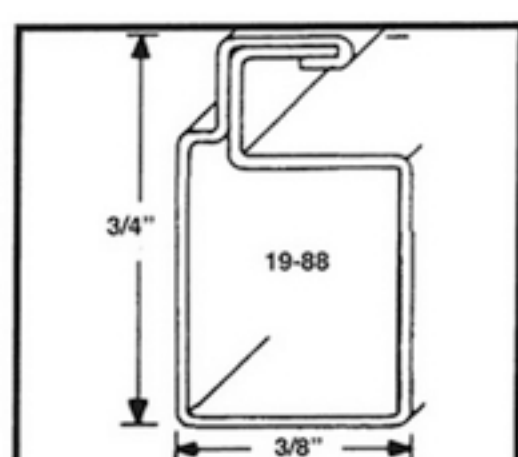
Box Type Screen Frame 3/8" x 13/16" Small Spline With Flat Edge Flange

Catalog Number	Gauge	Pieces per Carton
1956- Mill	0.019	170
1956B- Bronze	0.019	170
1956W- White	0.019	170

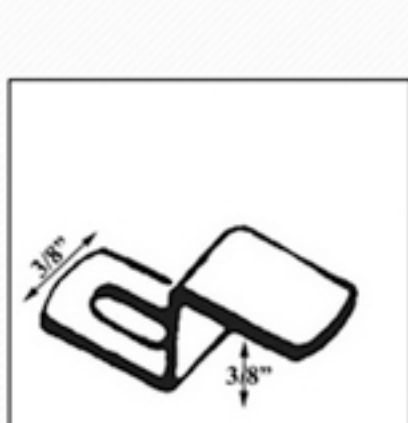


Box Type Screen Frame 3/8" x 3/4" Small Spline

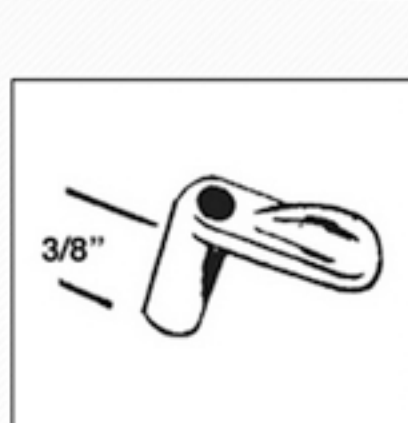
Catalog Number	Gauge	Pieces per Carton
1988- Mill	0.020	130
1988B- Bronze	0.020	130
1988W- White	0.020	130



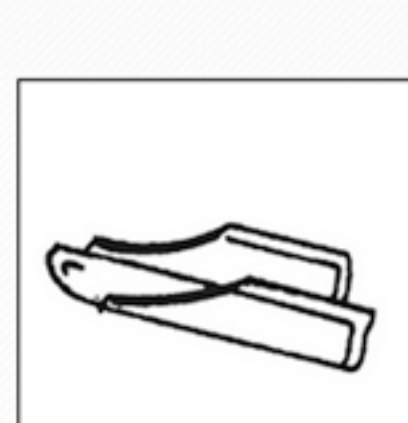
#6088- Corner Lock Plastic Corner Lock



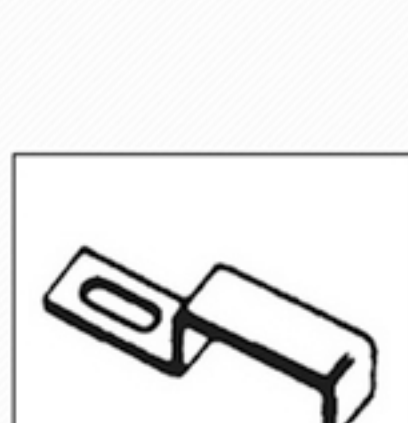
Z-Clip



Plastic Clip-Black
Plastic Clip-White



Friction Hanger

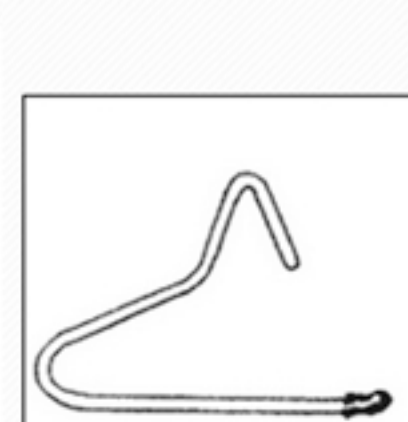


Stretcher Clip

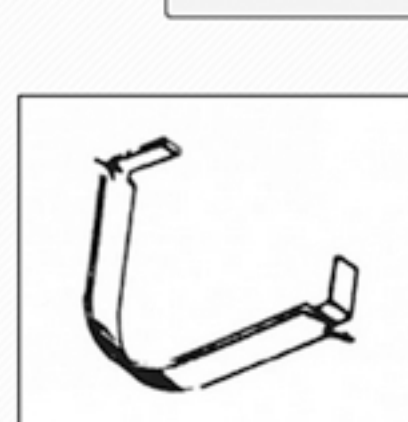


Sq Plastic Corner

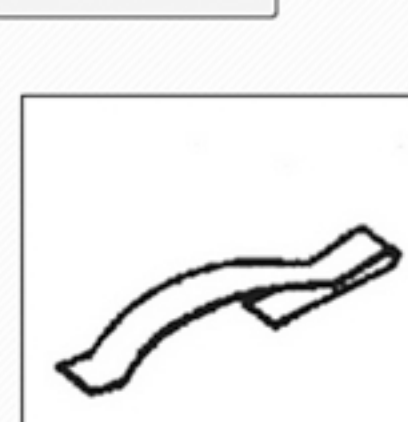
Tension Springs



Wire Tension Spring



3-1/4 in. Stainless Steel Tension Spring for Window Screen



Hole-less Tension Spring